

VADOR EVOLVE



LINEAR LED LIGHT

Vapor Tight Linear | 2', 4' & 8'

VADOR EVOLVE Series is a LED linear fixture designed for energy efficiency in harsh environments. With adjustable power and CCT switches, it meets diverse project needs. Its integrated lens and module plate simplify installation, making it a reliable choice for industrial applications requiring dust and water resistance. It is also UL Sanitation Certified to NSF 2 Food Equipment standard for non-food zones

Applications: Parking Garage | Cold Storage | Canopy | Manufacturing | Complex Environment

	DATE	QTY	ACC. QTY	TYPE
PROJECT				
PN				
ACCESSORY PN				
NOTES				

DYNAMIC MENU

Order Information	Page 2
Dimensions	Page 3
Accessories	Page 4
Photometric Data	Page 6

[Install Instruction link](#)

SPECIFICATIONS

Input Voltage	120-277/347V		
Power Factor	>0.9		
Total Harmonic Distortion	<20%		
Dimming Page 4	0-10V dimming		
CRI	80 CRI		
CCT	<input type="radio"/> 35K <input type="radio"/> 40K <input type="radio"/> 50K		
Efficacy	130LPW	1500 lm/ft	
Length	2'	4'	8'
Power (W)	15/20/25	38/46/54	65/75/90
Ambient Temperature Range	-40°C to 40°C		
Mounting Options	<input type="checkbox"/> Suspended <input type="checkbox"/> Surface mount		
Protection	NSF rated UL 94: 5VA flame retardancy IP66 suitable for wet location IK10 high impact resistance		
Distribution			



PRODUCT FEATURES

PRODUCT CERTIFICATIONS

Design Lights Consortium® (DLC) qualified product. Not all versions of this product may be DLC qualified. Please check the DLC Qualified Products List at www.designlights.org/QPL to confirm which versions are qualified" [page 4](#)

SYSTEM WARRANTY – 5 YEARS

Eralux will warrant defective drivers, LEDs and boards for 5 years from the date of purchase. This warranty is valid only if the fixture is installed and used as per installation guides and specifications. If a defect is present, Eralux will send drivers and boards at no fee with a thorough replacement instructions along with instructions on the return of the defective parts back to Eralux.

LUMEN MAINTENANCE – L70 at 100,000 hours

Rated for 70% initial lumen output at 100,000 hours of operation, operated at 25°C ambient temperature; per guidelines published by the Illuminating Engineering Society (IES).

LINEAR LED LIGHT

Vapor Tight Linear | 2', 4' & 8'



ORDERING GUIDE

AE-SF-VDE	-CA		-010	-8XX	
AE-SF-VDE ERALUX VADOR EVOLVE Vapor tight linear light Surface mount	-CA 120-277/347V	-2 -25/20/15 2 ft 25/20/15W 3,250/2,600/1,950 Lm -4 -54/46/38 4 ft 54/46/38W 7,020/5,980/4,940 Lm -8 -90/75/65 8 ft 90/75/65W 12,060/10,275/9,100 Lm	-010 0-10V Dimming	-8XX 80 CRI 3500/4000/5000K Switchable	[BLANK] No option -MS Microwave motion sensor -EM¹ Emergency Battery Backup (8W) -ME Microwave motion sensor and EMBB

Fixture Family	Input Voltage	Length Power	Dimming	CRI CCT	Controls
----------------	---------------	----------------	---------	-----------	----------

- NOTE** 1. Emergency backup battery not available with 2 FT fixture.
- CAUTION** If there are multiple fixtures connected to the same 0-10V dimming line, a 0-10V controller must be considered to enable consistent dimming across the fixtures. Failure to do so will lead to inconsistent dimming and behaviors in the fixtures. Single switch is not recommended for controlling multiple fixtures simultaneously.



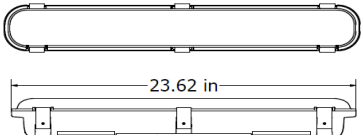

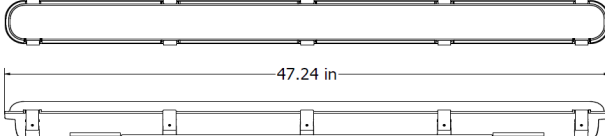
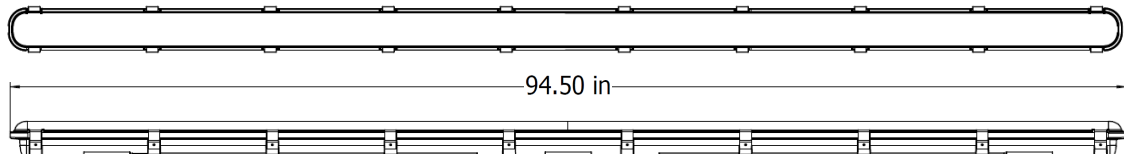
ORDERING GUIDE - ACCESSORIES

AE-SF-JB ERALUX VADOR EVOLVE Vapor tight linear light	-CMK Suspension kit aircraft cables
Fixture Family	Suspension Kit

LINEAR LED LIGHT

Vapor Tight Linear | 2', 4' & 8'

DIMENSIONS

SIZE	TOP/BOTTOM VIEW	SIDE VIEW
2FT		
4FT		
8FT		

LINEAR LED LIGHT

Vapor Tight Linear | 2', 4' & 8'

DLC MODEL



Vador Evolve

DLC MODEL	PRODUCT ID	Primary Use	Classification
AE-SF-VDE-CA-4-54/46/38-010-8XX-[MS, EM, BLANK, BOTH]	S-FV8DZH	Direct Linear Ambient Luminaires	Standard
AE-SF-VDE-CA-4-54/46/38-010-8XX-[MS, EM, BLANK, BOTH]	S-WTYR2W		Standard
AE-SF-VDE-CA-8-90/75/65-010-8XX-[MS, EM, BLANK, BOTH]	S-AXHITE		Standard
AE-SF-VDE-CA-8-90/75/65-010-8XX-[MS, EM, BLANK, BOTH]	S-KFRJMW	High-Bay Luminaires for Commercial and Industrial Buildings	Premium

DIMMER COMPATIBLTY LIST

BRAND	MODEL	BRAND	MODEL
LUTRON	NTSTV-DV	LEVITON	IP710
	NFTV		DS710
	DVTV	LEGRAND	RH4FBL3PW
	DVSTV		

ACCESSORIES

FOR SUSPENDED

Ordered separately if needed

CANOPY

ORDER CODE	DESCRIPTION	PICTURE
AE-SF-JB-CMK	Suspension kit: Two 9.5ft aircraft cables & Two V-hooks	

LINEAR LED LIGHT

Vapor Tight Linear | 2', 4' & 8'

CONTROLS

EMERGENCY LED DRIVER



This LED Emergency Driver from Streamer is UL listed, and it is factory installed. It switches to emergency mode during power failures, providing up to 90 minutes of lighting. With an integrated battery, charger, and converter, it delivers 8W constant power at 50-180VDC. Its slim shape is ideal for use in linear strip lighting fixtures.

SPECIFICATIONS	
Input Voltage	100-347Vac
Power Frequency	50/60HZ
Output Voltage	50-180VDC
Output Power	8W
Ambient Temperature	0°C to 50°C
	30°F to 122°F
Installation	Integrated

ROOM OCCUPANCY SENSOR

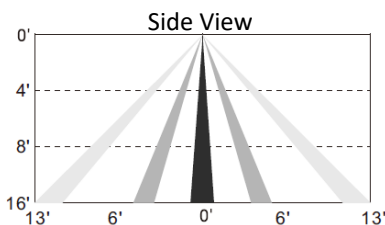
Ordered separately, field installed

PART NUMBER	DESCRIPTION
AE-SF-JB-MOTIONSENSOR	BI-Level Microwave Motion Sensor
AE-SF-JB-MOTIONSENSOR-RMT	RC102 Remote Control

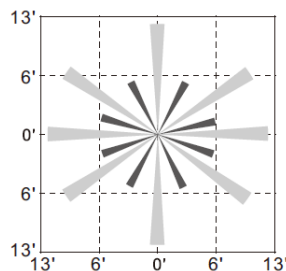


SPECIFICATIONS	
Input Voltage	120-277 Vac
Input Current	30mA
Standby Power	36mW
IP Rating	IP20
Detection Range	3- 7.92 Meters
	9.8- 26 Feet
Mounting Height	4.87 Meters Max
	16 Feet Max
Operating Temperature	-30F to 131°F
	-30°C to 55°C

Zone Coverage



Top View



LINEAR LED LIGHT

Vapor Tight Linear | 2', 4' & 8'

LUMEN ESTIMATE

Lumen output varies based on CCT and CRI. An estimate of lumen output of the various CCT/CRI combinations, use correction factors as per table below:

LUMEN ESTIMATE ADJUSTMENT FACTORS

CCT	3000K	3500K	4000K	5000K
PREMIUM (90CRI)	0.94	0.97	1	1.03

PHOTOMETRIC DATA

PART NUMBER		ZONAL LUMEN SUMMARY			POLAR LUMINOUS INTENSITY	CONE DISTRIBUTION			
AE-SF-VDE-CA-4-54/46/38-010-8XX		Zone	Lumens	% Fixture	Direct / Indirect Light	Center Beam Fc		Beam Width	
Wattage	46W	0-20°	670.86	11.90		1.7ft	640 fc	4.3 ft	5.5 ft
CCT	3500K	0-30°	1410.73	25.00		3.3ft	170 fc	8.4 ft	10.7 ft
Distribution	120°	0-40°	2285.71	40.50		5.0ft	74 fc	12.7 ft	16.2 ft
Length	4ft	0-60°	4000.39	70.90		6.7ft	41.2 fc	17.0 ft	21.7 ft
		0-80°	5113.68	90.60		8.3ft	26.9 fc	21.0 ft	26.9 ft
		0-90°	5365.38	95.10		10.0ft	18.5 fc	25.3 ft	32.4 ft
						■ Vert. Spread: 103.5° ■ Horiz. Spread: 116.6°			

PART NUMBER		ZONAL LUMEN SUMMARY			POLAR LUMINOUS INTENSITY	CONE DISTRIBUTION			
AE-SF-VDE-CA-4-54/46/38-010-8XX		Zone	Lumens	% Fixture	Direct / Indirect Light	Center Beam Fc		Beam Width	
Wattage	46W	0-20°	686.06	11.8		1.7ft	655 fc	4.3 ft	5.6 ft
CCT	4000K	0-30°	1443.27	24.9		3.3ft	174 fc	8.4 ft	10.8 ft
Distribution	120°	0-40°	2340.3	40.4		5.0ft	75.7 fc	12.7 ft	16.4 ft
Length	4ft	0-60°	4101.8	70.7		6.7ft	42.1 fc	17.1 ft	21.9 ft
		0-80°	5248.53	90.5		8.3ft	27.5 fc	21.1 ft	27.2 ft
		0-90°	5508.31	95		10.0ft	18.9 fc	25.5 ft	32.7 ft
						■ Vert. Spread: 103.7° ■ Horiz. Spread: 117.1°			

PART NUMBER		ZONAL LUMEN SUMMARY			POLAR LUMINOUS INTENSITY	CONE DISTRIBUTION			
AE-SF-VDE-CA-4-54/46/38-010-8XX		Zone	Lumens	% Fixture	Direct / Indirect Light	Center Beam Fc		Beam Width	
Wattage	46W	0-20°	688.21	11.80		1.7ft	657 fc	4.4 ft	5.6 ft
CCT	5000K	0-30°	1448.59	24.90		3.3ft	174 fc	8.4 ft	10.8 ft
Distribution	120°	0-40°	2349.84	40.30		5.0ft	75.9 fc	12.8 ft	16.3 ft
Length	4ft	0-60°	4120.78	70.80		6.7ft	42.3 fc	17.2 ft	21.9 ft
		0-80°	5273.34	90.50		8.3ft	27.6 fc	21.2 ft	27.1 ft
		0-90°	5533.85	95		10.0ft	19 fc	25.6 ft	32.6 ft
						■ Vert. Spread: 104.0° ■ Horiz. Spread: 117.0°			

PART NUMBER		ZONAL LUMEN SUMMARY			POLAR LUMINOUS INTENSITY	CONE DISTRIBUTION			
AE-SF-VDE-CA-8-90/75/65-010-8XX		Zone	Lumens	% Fixture	Direct / Indirect Light	Center Beam Fc		Beam Width	
Wattage	90W	0-20°	1429.81	11.9		1.7ft	1366 fc	4.3 ft	5.5 ft
CCT	4000K	0-30°	3007.18	24.9		3.3ft	363 fc	8.4 ft	10.7 ft
Distribution	120°	0-40°	4874.58	40.4		5.0ft	158 fc	12.7 ft	16.2 ft
Length	8ft	0-60°	8538.46	70.8		6.7ft	87.9 fc	17.0 ft	21.8 ft
		0-80°	10922.6	90.6		8.3ft	57.3 fc	21.1 ft	27.0 ft
		0-90°	11464.12	95.1		10.0ft	39.5 fc	25.4 ft	32.5 ft
						■ Vert. Spread: 103.5° ■ Horiz. Spread: 116.8°			

LINEAR LED LIGHT

Vapor Tight Linear | 2', 4' & 8'

OVERVIEW



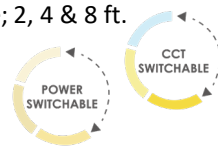
Innovative Design

- High-impact polycarbonate housing with the highest UL 94 rating for flame retardancy.
- Stainless steel latches.
- Frosted polycarbonate lens



Multiple Options

- Three standard length available; 2, 4 & 8 ft.
- Three CCT switchable
- Three power tunable options



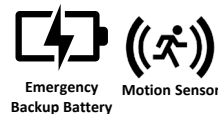
Protections

- IP66; completely protected from dust, and high-pressure water jets from any direction.
- 5VA flame classification material; it has the highest UL 94 rating for flame retardancy
- UL Sanitation Certified to NSF 2 Food Equipment standard for non-food zones
- Durable high impact IK10 optical lens and housing



Accessories

- Suspension kit
- Emergency backup battery
- Motion sensor



Mountings Available

- Suspended
- Surface mount



Tests And Certifications

