

# JOBBER HO

## LINEAR LED LIGHT

### Linear Strip Light | 4' & 8' | 170 LPW

The JOBBER HO is an upgrade for our standard Jobber Strip. Available in 4' and 8' lengths and the option between a round and square lens, it is designed for surface and suspended mounting. It can achieve 170 lm/w with four different power options, making the JOBBER HO compatible with any project.

Applications: Assembly line | Storage | Stairwell | Public spaces | Garage

	DATE	QTY	ACC. QTY	TYPE
PROJECT				
PN				
ACCESSORY PN				
NOTES				



### DYNAMIC MENU

Order Information	<a href="#">Page 2</a>
Dimensions	<a href="#">Page 3</a>
Accessories	<a href="#">Page 4</a>
Photometric Data	<a href="#">Page 7</a>

[Install Instruction link](#)



### SPECIFICATIONS

Input Voltage	120-277/347V	
Power Factor	>0.9	
Total Harmonic Distortion	<20%	
Dimming <a href="#">Page 4</a>	0-10V dimming	
CRI	80 CRI	
CCT	<div style="display: flex; gap: 10px;"> <span style="border: 1px solid black; border-radius: 50%; padding: 2px 5px;">30K</span> <span style="border: 1px solid black; border-radius: 50%; padding: 2px 5px;">35K</span> <span style="border: 1px solid black; border-radius: 50%; padding: 2px 5px;">40K</span> <span style="border: 1px solid black; border-radius: 50%; padding: 2px 5px;">50K</span> <span style="border: 1px solid black; border-radius: 50%; padding: 2px 5px;">65K</span> </div>	
Efficacy	150 ~ 170 lm/w	
Length (feet)	4'	8'
Power (watt)	80-21	136-40
Ambient Temperature Range	-20°C to 50°C	
Mounting Options	<div style="display: flex; align-items: center;"> <div style="text-align: center; margin-right: 20px;"> <p>Suspended</p> </div> <div style="text-align: center;"> <p>Surface mount</p> </div> </div>	
Fixture Finish	<div style="text-align: center;"> <p>White</p> </div>	
Custom Design	Continuous runs	



### PRODUCT FEATURES



### PRODUCT CERTIFICATIONS



### SYSTEM WARRANTY – 5 YEARS

Eralux will warrant defective drivers, LEDs and boards for 5 years from the date of purchase. This warranty is valid only if the fixture is installed and used as per installation guides and specifications. If a defect is present, Eralux will send drivers and boards at no fee with a thorough replacement instructions along with instructions on the return of the defective parts back to Eralux.

### LUMEN MAINTENANCE – L70 at 100,000 hours

Rated for 70% initial lumen output at 100,000 hours of operation, operated at 25°C ambient temperature; per guidelines published by the Illuminating Engineering Society (IES).

## LINEAR LED LIGHT

Linear Strip Light | 4' & 8' | 170 LPW



### ORDERING GUIDE

SF-JB	CA-		-830-65		-WH	
<b>SF-JB</b> ERALUX Jobber HO Linear Strip Fixture	<b>CA-</b> 120-277/347VAC	<b>04-TP40</b> 4 Ft   40/34/26/21W 6300/5200/4100/3300lm <b>04-TP80</b> 4 Ft   80/68/53/40W 12600/10400/8200/6600lm <b>08-TP80</b> 8 Ft   80/68/53/40W 12600/10400/8200/6600lm <b>08-TP136</b> 8 Ft   136/106/94/80W 21000/16400/15200/13000lm	<b>-830-65</b> 80 CRI 30/35/40/50/65K Switchable	<b>[BLANK]</b> No option <b>-EM</b> 8W Emergency Backup <b>-MS</b> Bi-level Motion Sensor <b>-MS-PIR</b> Infrared Motion Sensor	<b>-WH</b> White Finish	<b>[BLANK]</b> Regular Lens <b>-CS3</b> Square Lens* (Offered in white only)

Fixture Family	Voltage	Length   Power	CCT	Sensor	Finish	Lens
----------------	---------	----------------	-----	--------	--------	------

#### CAUTION

If there are multiple fixtures connected to the same 0-10V dimming line, a 0-10V controller must be considered to enable consistent dimming across the fixtures. Failure to do so will lead to inconsistent dimming and behaviors in the fixtures. Single switch is not recommended for controlling multiple fixtures simultaneously.



### ORDERING GUIDE - ACCESSORY



#### AE-SF-JB-ROWLINK

Row link for continuous run

Link



#### AE-SF-JB-CMK

9.5 ft aircraft cable  
Standard for all sizes

Suspension Kit



#### AE-SF-JB-04-WRG

4ft wire Guard  
1pc for 4ft  
2pcs for 8ft

Wire Guard

## LINEAR LED LIGHT

Linear Strip Light | 4' & 8' | 170 LPW

### DIMENSIONS

#### NORMAL LENS

SIZE	TOP/FRONT VIEW	SIDE VIEW
4FT		
8FT		

SIZE	DRILLING PATTERN FOR SURFACE MOUNT	
4FT		
8FT		

#### SQUARE LENS

SIZE	TOP/FRONT VIEW	SIDE VIEW
4FT		
8FT		


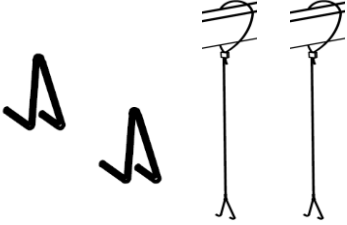
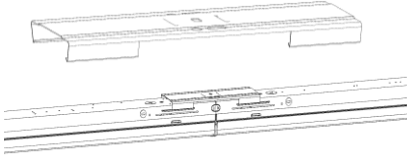
SIZE	DRILLING PATTERN FOR SURFACE MOUNT	
4FT		
8FT		

## LINEAR LED LIGHT

Linear Strip Light | 4' & 8' | 170 LPW

### ACCESSORIES

#### CANOPY

ORDER CODE	DESCRIPTION	PICTURE
AE-SF-JB-04-WRG	4 FT Wire Guard: 1 piece for 4ft (order 2 pieces for 8FT fixture) It shields the LED and lens from physical damage	
AE-SF-JB-CMK	Suspension kit: Two 9.5ft aircraft cables & two V-hooks	
AE-SF-JB-ROWLINK	Link kit: Row link for continuous run	

### CONTROLS

#### EMERGENCY LED DRIVER



This LED Emergency Driver from Streamer is UL listed, and it is factory installed. It switches to emergency mode during power failures, providing up to 90 minutes of lighting. With an integrated battery, charger, and converter, it delivers 8W constant power at 50-180VDC. Its slim shape is ideal for use in linear strip lighting fixtures.

SPECIFICATIONS	
Input Voltage	100-347Vac
Power Frequency	50/60HZ
Output Voltage	50-180VDC
Output Power	8W
Ambient Temperature	0°C to 50°C
	30°F to 122°F
Installation	Integrated

#### DIMMER COMPATIBILITY LIST

BRAND	MODEL	BRAND	MODEL
LUTRON	NTSTV-DV	LEVITON	IP710
	NFTV		DS710
	DVTV	LEGRAND	RH4FBL3PW
	DVSTV		

## LINEAR LED LIGHT

Linear Strip Light | 4' & 8' | 170 LPW

### CONTROLS

#### ROOM OCCUPANCY SENSOR



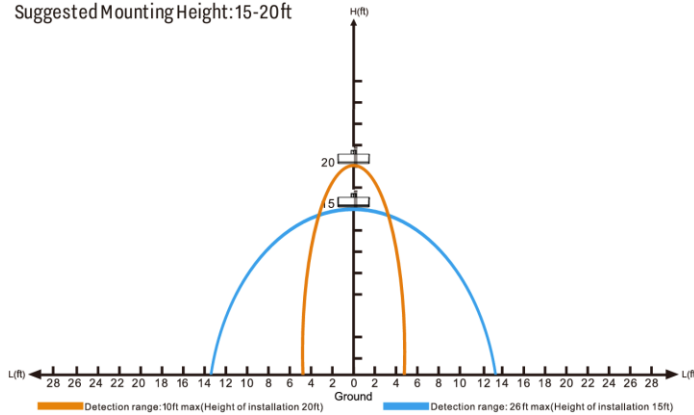
### SPECIFICATIONS

<b>Input Voltage</b>	12 Vdc
<b>Input Current</b>	40mA
<b>Standby Power</b>	36mW
<b>IP Rating</b>	IP20
<b>Detection Range</b>	3- 7.92 Meters
	9.8- 26 Feet
<b>Mounting Height</b>	6 Meters Max
	20 Feet Max
<b>Operating Temperature</b>	-30F to 131°F
	-30°C to 55°C

PART NUMBER	DESCRIPTION
AE-SF-JB-MOTIONSENSOR	BI-Level Microwave Motion Sensor
AE-SF-JB-MOTIONSENSOR-RMT	RC102 Remote Control

#### Zone Coverage

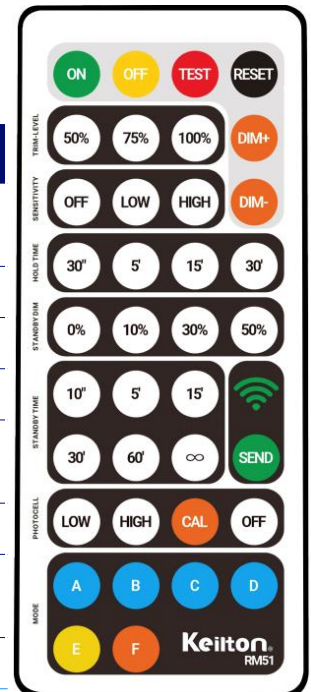
Suggested Mounting Height: 15-20ft



Note: There may be interference with the sensor beyond our control which could cause the sensor to not function optimally

### Parameters

<b>Default Mode (Reset)</b>	Motion → 100%, No Motion ≥ 5 min → DIM to 30%, No Motion ≥ 60 min → Off.
<b>DIM+ / DIM-</b>	Control the dimming of the fixture
<b>Trim Level</b>	Set maximum threshold value at 50%, 75%, or 100%.
<b>Sensitivity</b>	OFF (PIR OFF, Enter PC ON/OFF function) / LOW 50% / HIGH 100%
<b>Hold Time</b>	Time of no occupancy after the fixture goes to standby: 30s / 5 min / 15 min / 30 min
<b>Standby DIM</b>	Select any standby dim level: 0% / 10% / 30% / 50%
<b>Standby Time</b>	10s / 5 min / 15 min / 30 min / 1h / ∞. "∞" means the standby time is infinite, and the fixture is effectively controlled by the daylight sensor.
<b>Photocell</b>	LOW (1fc) / HIGH (50fc) / CAL (Collects the current Lux Level) ON.





## LINEAR LED LIGHT

Linear Strip Light | 2', 4' & 8'

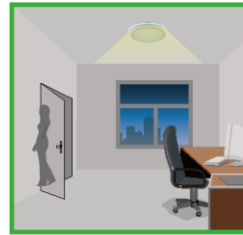
### CONTROLS

#### PIR MOTION SENSOR

CODE	DESCRIPTION	PICTURE
AE-PIR-D-ANT-703P-C	Plug-in bi-level PIR sensor	
AE-PIR-D-RMT-RC200	Remote control for the motion sensor	

### Factory mode

Factory Default Setting	
Sensitivity	100%
Hold on time	15 min
Daylight Sensor	ON
Dimming level	30%
Dimming time	1 min

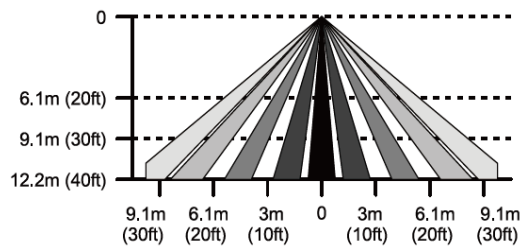
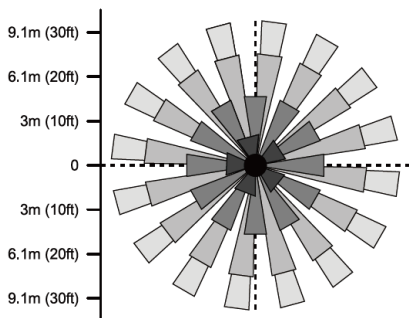


The light dims to stand-by period after hold-time and stays on selected minimum dimming level.



The light switches off completely after the stand-by period.

### Area Coverage



## LINEAR LED LIGHT

Linear Strip Light | 4' & 8' | 170 LPW

### ARIA PLUS - Low Bay Sensor Bluetooth Control System – Refer to Aria spec sheet for more details



This sensor extends the capabilities of a host controller device by providing Microwave Occupancy detection with adjustable sensitivity inputs. It is designed to operate with the FA102 Bluetooth low-voltage luminaire controller.

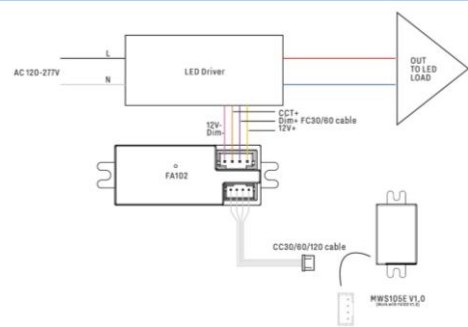
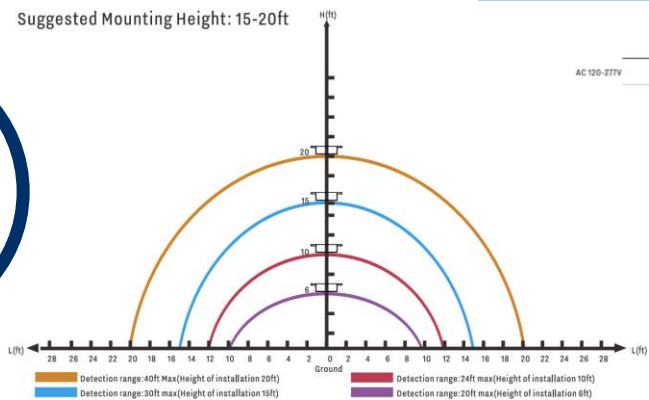
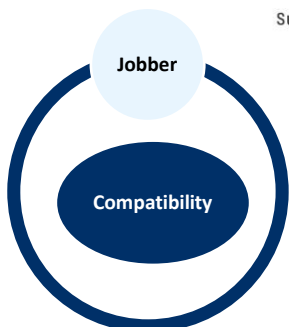
The FA102 Integrated Fixture Adapter enables Luminaire Level Lighting Control (LLLC) capabilities in a miniature design with integrated “sensor-ready” functionality.

Parameters	
Input Voltage	12V
Input Power	0.1W
Application	Indoor
Detection Range	20-40ft
Mounting Height	8-20ft
Operating Temperature	-30°C to 55°C
IP Rating	IP20
Installation	Integrated
Detection	Microwave

Parameters	
Input Voltage	12V
Input Power	0.5W
Application	Indoor
Bluetooth Transmit	200ft MAX
Operating Temperature	-30°C to 55°C
IP Rating	IP20
Installation	Integrated
Radio	Bluetooth
Bluetooth Transmit	200ft

Features
Microwave occupancy sensor
Supports setting a delay time and bi-level dimming
Sensitivity adjustment from 0-100%
Designed for low bay application
Daylight harvesting available
Needs FA102 for Bluetooth network technology

Features
Integral Bluetooth module
Designed for integration into luminaires to provide luminaire level lighting control (LLLC)
0-10V output
Needs Sensor and FC cable
Schedule lighting
On/off with dimming option



## LINEAR LED LIGHT

Linear Strip Light | 4' & 8' | 170 LPW

### LUMEN ESTIMATE

Lumen output varies based on CCT and CRI. An estimate of lumen output of the various CCT/CRI combinations, use correction factors as per table below:

#### LUMEN ESTIMATE ADJUSTMENT FACTORS

CCT	3500K	4000K	5000K
PREMIUM (90CRI)	0.97	1	1.03

### PHOTOMETRIC DATA FOR REGULAR LENS

PART NUMBER		ZONAL LUMEN SUMMARY			POLAR LUMINOUS INTENSITY	CONE DISTRIBUTION		
SF-JBCA-04-TP80		Zone	Lumens	% Fixture	Direct Light	Center Beam Fc	Beam Width	
Wattage	40W	0-20°	691.5	11.1		2.5ft	304 fc	6.6 ft 9.1 ft
CCT	5000K	0-30°	1463.84	23.5		5.0ft	75.9 fc	13.2 ft 18.1 ft
Distribution	120°	0-40°	2391.98	38.3		7.5ft	33.7 fc	19.8 ft 27.2 ft
Length	4ft	0-60°	4252.41	68.2		10.0ft	19 fc	26.4 ft 36.3 ft
		0-80°	5490.55	88		12.5ft	12.1 fc	33.1 ft 45.3 ft
		0-90°	5733.05	91.9		15.0ft	8.43 fc	39.7 ft 54.4 ft
					<span style="color: blue;">■</span> Vert. Spread: 105.8° <span style="color: red;">■</span> Horiz. Spread: 122.2°			

PART NUMBER		ZONAL LUMEN SUMMARY			POLAR LUMINOUS INTENSITY	CONE DISTRIBUTION		
SF-JBCA-04-TP80		Zone	Lumens	% Fixture	Direct Light	Center Beam Fc	Beam Width	
Wattage	53W	0-20°	897.08	11.1		2.5ft	394 fc	6.6 ft 9.1 ft
CCT	5000K	0-30°	1899.03	23.5		5.0ft	98.4 fc	13.2 ft 18.1 ft
Distribution	120°	0-40°	3103.09	38.3		7.5ft	43.7 fc	19.8 ft 27.2 ft
Length	4ft	0-60°	5516.62	68.2		10.0ft	24.6 fc	26.4 ft 36.3 ft
		0-80°	7122.85	88		12.5ft	15.7 fc	33.1 ft 45.3 ft
		0-90°	7437.44	91.9		15.0ft	10.9 fc	39.7 ft 54.4 ft
					<span style="color: blue;">■</span> Vert. Spread: 105.8° <span style="color: red;">■</span> Horiz. Spread: 122.2°			

PART NUMBER		ZONAL LUMEN SUMMARY			POLAR LUMINOUS INTENSITY	CONE DISTRIBUTION		
SF-JBCA-04-TP80		Zone	Lumens	% Fixture	Direct Light	Center Beam Fc	Beam Width	
Wattage	68W	0-20°	1115.59	11.1		2.5ft	490 fc	6.6 ft 9.1 ft
CCT	5000K	0-30°	2361.6	23.5		5.0ft	122 fc	13.2 ft 18.1 ft
Distribution	120°	0-40°	3858.95	38.3		7.5ft	54.4 fc	19.8 ft 27.2 ft
Length	4ft	0-60°	6860.38	68.2		10.0ft	30.6 fc	26.4 ft 36.3 ft
		0-80°	8857.85	88		12.5ft	19.6 fc	33.1 ft 45.3 ft
		0-90°	9249.07	91.9		15.0ft	13.6 fc	39.7 ft 54.4 ft
					<span style="color: blue;">■</span> Vert. Spread: 105.8° <span style="color: red;">■</span> Horiz. Spread: 122.2°			

PART NUMBER		ZONAL LUMEN SUMMARY			POLAR LUMINOUS INTENSITY	CONE DISTRIBUTION		
SF-JBCA-04-TP80		Zone	Lumens	% Fixture	Direct Light	Center Beam Fc	Beam Width	
Wattage	80W	0-20°	1120.47	11.1		2.5ft	591 fc	6.6 ft 9.1 ft
CCT	5000K	0-30°	2371.92	23.5		5.0ft	148 fc	13.2 ft 18.1 ft
Distribution	120°	0-40°	3875.82	38.3		7.5ft	65.6 fc	19.8 ft 27.2 ft
Length	4ft	0-60°	6890.36	68.2		10.0ft	36.9 fc	26.4 ft 36.3 ft
		0-80°	8896.56	88		12.5ft	23.6 fc	33.1 ft 45.3 ft
		0-90°	9289.49	91.9		15.0ft	16.4 fc	39.7 ft 54.4 ft
					<span style="color: blue;">■</span> Vert. Spread: 105.8° <span style="color: red;">■</span> Horiz. Spread: 122.2°			

## LINEAR LED LIGHT

Linear Strip Light | 4' & 8' | 170 LPW

### PHOTOMETRIC DATA FOR SQUARE LENS

PART NUMBER		ZONAL LUMEN SUMMARY			POLAR LUMINOUS INTENSITY	CONE DISTRIBUTION		
SF-JBCA-04-TP80-CS3		Zone	Lumens	% Fixture	Direct Light	Center Beam Fc	Beam Width	
Wattage	40W	0-20°	675.96	10.4		2.0ft	463 fc	4.9 ft 8.6 ft
CCT	5000K	0-30°	1425.78	21.9		4.0ft	116 fc	9.9 ft 17.1 ft
Distribution	120°	0-40°	2319.46	35.6		6.0ft	51.5 fc	14.8 ft 25.7 ft
Length	4ft	0-60°	4123.51	63.2		8.0ft	29 fc	19.8 ft 34.3 ft
		0-80°	5399.14	82.8		10.0ft	18.5 fc	24.7 ft 42.9 ft
		0-90°	5668.42	86.9	12.0ft	12.9 fc	29.7 ft 51.4 ft	
						■ Vert. Spread: 102.1° ■ Horiz. Spread: 130.0°		

PART NUMBER		ZONAL LUMEN SUMMARY			POLAR LUMINOUS INTENSITY	CONE DISTRIBUTION		
SF-JBCA-04-TP80-CS3		Zone	Lumens	% Fixture	Direct Light	Center Beam Fc	Beam Width	
Wattage	53W	0-20°	868.97	10.4		2.0ft	596 fc	4.9 ft 8.6 ft
CCT	5000K	0-30°	1832.88	21.9		4.0ft	149 fc	9.9 ft 17.1 ft
Distribution	120°	0-40°	2981.73	35.6		6.0ft	66.2 fc	14.8 ft 25.7 ft
Length	4ft	0-60°	5300.87	63.2		8.0ft	37.2 fc	19.8 ft 34.3 ft
		0-80°	6940.72	82.8		10.0ft	23.8 fc	24.7 ft 42.9 ft
		0-90°	7286.88	86.9	12.0ft	16.5 fc	29.7 ft 51.4 ft	
						■ Vert. Spread: 102.1° ■ Horiz. Spread: 130.0°		

PART NUMBER		ZONAL LUMEN SUMMARY			POLAR LUMINOUS INTENSITY	CONE DISTRIBUTION		
SF-JBCA-04-TP80-CS3		Zone	Lumens	% Fixture	Direct Light	Center Beam Fc	Beam Width	
Wattage	68W	0-20°	1075.92	10.4		2.0ft	737 fc	4.9 ft 8.6 ft
CCT	5000K	0-30°	2269.41	21.9		4.0ft	184 fc	9.9 ft 17.1 ft
Distribution	120°	0-40°	3691.87	35.6		6.0ft	81.9 fc	14.8 ft 25.7 ft
Length	4ft	0-60°	6563.37	63.2		8.0ft	46.1 fc	19.8 ft 34.3 ft
		0-80°	8593.76	82.8		10.0ft	29.5 fc	24.7 ft 42.9 ft
		0-90°	9022.38	86.9	12.0ft	20.5 fc	29.7 ft 51.4 ft	
						■ Vert. Spread: 102.1° ■ Horiz. Spread: 130.0°		

PART NUMBER		ZONAL LUMEN SUMMARY			POLAR LUMINOUS INTENSITY	CONE DISTRIBUTION		
SF-JBCA-04-TP80-CS3		Zone	Lumens	% Fixture	Direct Light	Center Beam Fc	Beam Width	
Wattage	80W	0-20°	1295.74	10.4		2.0ft	888 fc	4.9 ft 8.6 ft
CCT	5000K	0-30°	2733.06	21.9		4.0ft	222 fc	9.9 ft 17.1 ft
Distribution	120°	0-40°	4446.15	35.6		6.0ft	98.7 fc	14.8 ft 25.7 ft
Length	4ft	0-60°	7904.3	63.2		8.0ft	55.5 fc	19.8 ft 34.3 ft
		0-80°	10349.52	82.8		10.0ft	35.5 fc	24.7 ft 42.9 ft
		0-90°	10865.7	86.9	12.0ft	24.7 fc	29.7 ft 51.4 ft	
						■ Vert. Spread: 102.1° ■ Horiz. Spread: 130.0°		

## LINEAR LED LIGHT

Linear Strip Light | 4' & 8' | 170 LPW

### OVERVIEW



#### Innovative Design

- Extruded aluminum housing for better heat dissipation.
- Highly durable polycarbonate and high transmittance lens.



#### Accessories

- Wire guard lens shield
- Suspension kit
- Emergency backup battery
- Motion sensor



Emergency backup battery



Motion Sensor



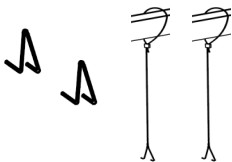
#### Multiple Options

- Two standard length available; 4, 8ft.
- CCT switchable and power tunable.
- White finishes.



#### Mountings Available

- Suspended
- Surface mount



#### Tests And Certifications

