

LINEAR LED LIGHT

IP66 Architecture Linear | 3.5" Aperture

The AQX is an architectural linear available in two sizes; 4 and 8 feet, each offering different power options. It is IP66 and IK10 rated, making it suitable for use in wet or harsh environments, though it is not fully exposed to outdoor conditions. This fixture can be surface mounted or suspended, either as a standalone unit or in a continuous run. Applications: Train Stations | Subway entrances | Above pools | Building Canopies

	DATE	QTY	ACC. QTY	TYPE
PROJECT				
PN				
NOTES				

DYNAMIC MENU

Order Information	Page 2
Dimensions	Page 3
Accessories	Page 4
Photometric Data	Page 5

[Install Instruction link](#)

SPECIFICATIONS

Input Voltage	120-277V	
Power Factor	>0.9	
Total Harmonic Distortion	<20%	
Dimming	0-10V dimming	
CRI	80 CRI	
CCT	<div style="display: flex; gap: 10px;"> <div style="border: 1px solid gray; border-radius: 50%; padding: 5px; width: 20px; height: 20px; background-color: #fff9c4;"></div> <div style="border: 1px solid gray; border-radius: 50%; padding: 5px; width: 20px; height: 20px; background-color: #e0e0e0;"></div> <div style="border: 1px solid gray; border-radius: 50%; padding: 5px; width: 20px; height: 20px; background-color: #e0e0e0;"></div> </div>	
Efficacy	~111 lm/W	~1280lm/ft
Length	4'	8'
Power	45W	90W
Ambient Temperature Range	-30°C to 45°C	
Mounting Options	<div style="display: flex; justify-content: space-around;"> <div style="border: 1px solid gray; padding: 2px 5px;">Surface</div> <div style="border: 1px solid gray; padding: 2px 5px;">Suspended</div> </div>	
Fixture Finish	Black White <div style="display: flex; gap: 10px;"> <div style="width: 20px; height: 20px; background-color: black; border-radius: 50%;"></div> <div style="width: 20px; height: 20px; background-color: white; border-radius: 50%;"></div> </div>	
Material	Polycarbonate Lens Aluminum Housing	
Protection	IP66; Dust and water resistance IK10; Highest impact resistance	
Distribution		



PRODUCT FEATURES



PRODUCT CERTIFICATIONS



SYSTEM WARRANTY – 3 YEARS

Eralux will warrant defective drivers, LEDs and boards for 3 years from the date of purchase. This warranty is valid only if the fixture is installed and used as per installation guides and specifications. If a defect is present, Eralux will send drivers and boards at no fee with a thorough replacement instructions along with instructions on the return of the defective parts back to Eralux.

LUMEN MAINTENANCE – L70 at 30,000 hours

Rated for 70% initial lumen output at 30,000 hours of operation, operated at 25°C ambient temperature; per guidelines published by the Illuminating Engineering Society (IES).

LINEAR LED LIGHT

IP66 Architecture Linear | 3.5" Aperture



ORDERING GUIDE

AE-SF-AQX			
AE-SF-AQX AQX Linear IP66 Architectural Fixture 120-277V input voltage	-4 -45 4ft 45W 5150 lm -8 -90 8ft 90W 10300 lm	-30 3000K -35 3500K -40 4000K	-WH White -BK Black

Fixture Family	Length Power	CCT	Finish
----------------	----------------	-----	--------



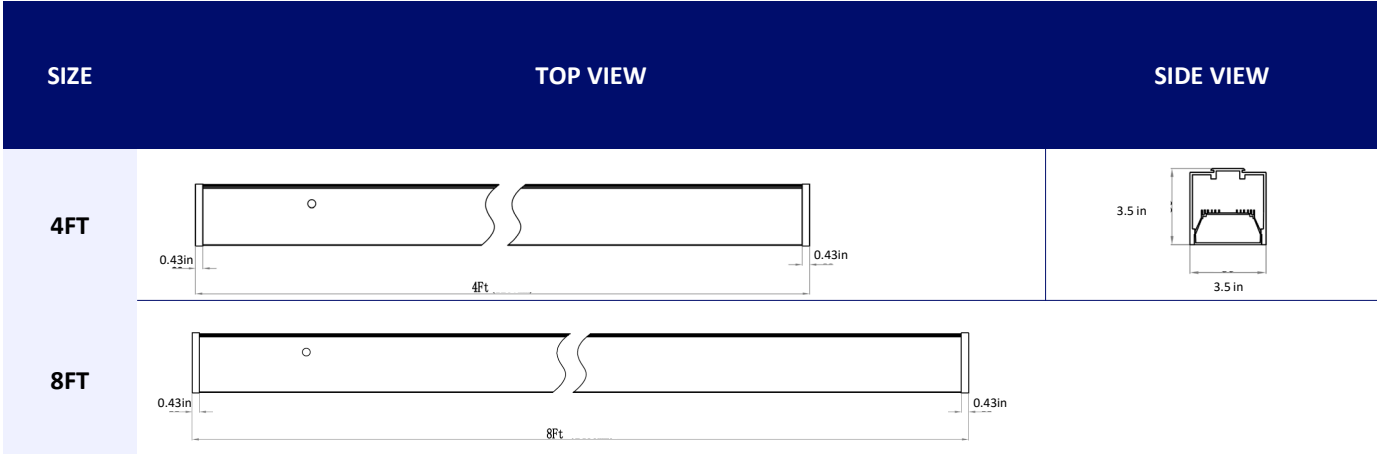
ORDERING GUIDE

- SF-AQX-SMT-KIT
- SF-AQX-AIR-KIT
- SF-AQX-SMTLINK-KIT
- SF-AQX-AIRLINK-KIT

MOUNTING KITS

NOTES • 1. Fixture does not come with power cords nor mounting. Need to add mounting kits separately.

CAUTION • Maximum of 600W for continuous runs.



LINEAR LED LIGHT

IP66 Architecture Linear | 3.5" Aperture

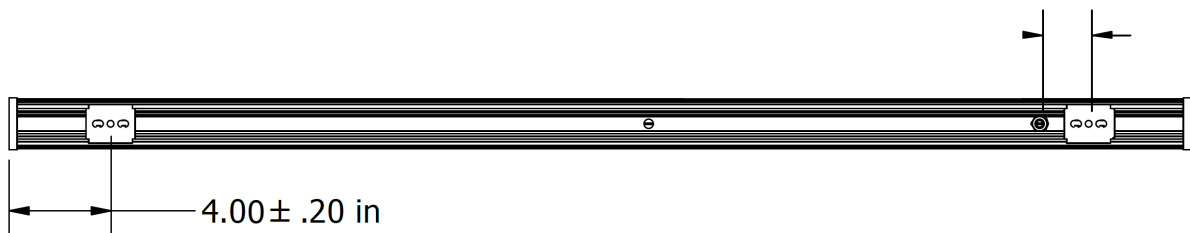
DIMENSIONS - MOUNTING

SIZE	TOP VIEW	SIDE VIEW
4FT		
8FT		

DIMENSIONS - MOUNTING

SIZE	DRILLING PATTERN FOR SUSPENDED MOUNT
4FT	
8FT	

DRILLING PATTERN FOR SURFACE MOUNT



NOTES

Same distance is applied on all AQX Sizes


LINEAR LED LIGHT

IP66 Architecture Linear | 3.5" Aperture


Mounting Accessories

Ordered separately if needed

SURFACE MOUNT KIT


ORDER CODE	DESCRIPTION	PICTURE
SF-AQX-SMT-KIT	Power Cord Surface Mount Bracket	

SUSPENDED MOUNT KIT

ORDER CODE	DESCRIPTION	PICTURE
SF-AQX-AIR-KIT	Power Cord Surface Mount Bracket	

FOR CONTINUOUS RUN

SURFACE MOUNT KIT

ORDER CODE	DESCRIPTION	PICTURE
SF-AQX-SMTLINK-KIT	Linking Cord Surface Mount Bracket Linking Fixture	

SUSPENDED MOUNT KIT

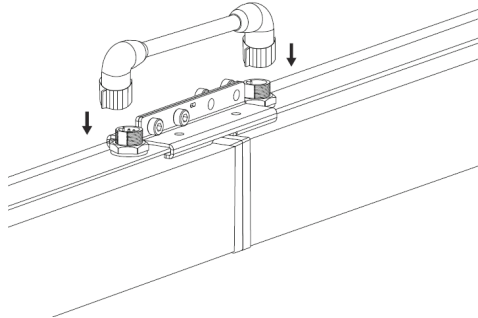
ORDER CODE	DESCRIPTION	PICTURE
SF-AQX-AIRLINK-KIT	Linking Cord Surface Mount Bracket Linking Fixture	

LINEAR LED LIGHT

IP66 Architecture Linear | 3.5" Aperture

CONTINUOUS RUNS INSTALLATION

ELECTRICAL CONNECTION



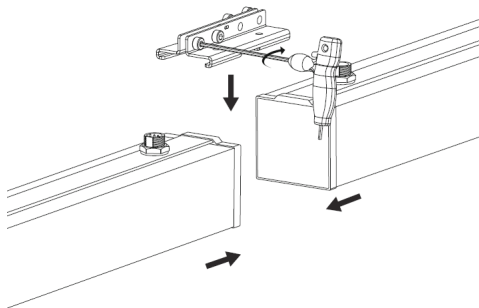
COMPONENTS



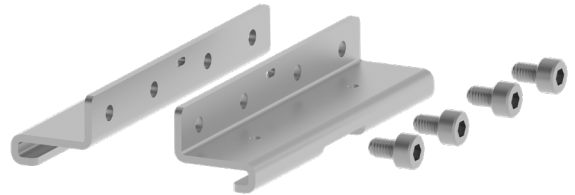
**NOTE
CAUTION**

- Connection cable for every connection
- Maximum of 600W for linear runs

MECHANICAL CONNECTION



COMPONENTS



NOTES

Easily installed.
One link is needed per connection.

LUMEN ESTIMATE

Lumen output varies based on CCT and CRI. An estimate of lumen output of the various CCT/CRI combinations, use correction factors as per table below:

LUMEN ESTIMATE ADJUSTMENT FACTORS

CCT	3000K	3500K	4000K
PREMIUM (80CRI)	0.94	0.97	1

PHOTOMETRIC DATA

PART NUMBER		ZONAL LUMEN SUMMARY			POLAR LUMINOUS INTENSITY	CONE DISTRIBUTION			
AE-SF-AQX-4-45-40-S-XX		Zone	Lumens	% Fixture	Direct Light	Center Beam Fc	Beam Width		
Wattage	45W	0-20°	678.94	13.4		2.0ft	469 fc	5.3 ft	5.4 ft
CCT	4000K	0-30°	1426.86	28.1		4.0ft	117 fc	10.5 ft	10.8 ft
Distribution	106°	0-40°	2309.58	45.5		6.0ft	52.1 fc	15.8 ft	16.2 ft
Length	4ft	0-60°	3999.26	78.9		8.0ft	29.3 fc	21.0 ft	21.6 ft
		0-80°	4926.55	97.1		10.0ft	18.7 fc	26.3 ft	27.0 ft
		0-90°	5023.22	99.1		12.0ft	13 fc	31.5 ft	32.4 ft
						■ Vert. Spread: 105.4° ■ Horiz. Spread: 107.0°			

LINEAR LED LIGHT

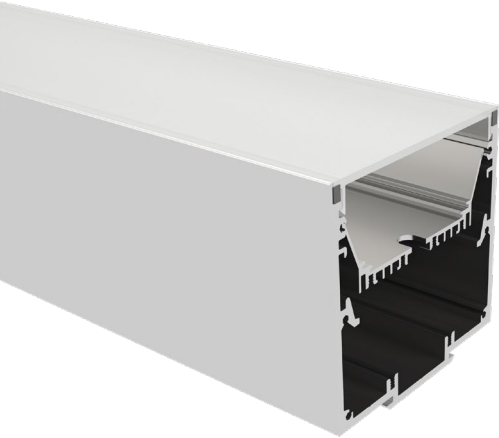
IP66 Architecture Linear | 3.5" Aperture

OVERVIEW



Innovative Design

- Extruded aluminum housing for better heat dissipation.
- Highly durable polycarbonate and high transmittance lens.



Multiple Options

- Two standard length available; 4 & 8ft.
- 30, 35, and 40K CCT Options
- Black, White



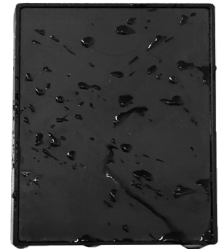
Mountings Available

- Suspended
- Surface Mount



FEATURES

- Protected against dust ingress.
- Protected against water jets
- Impact resistant



Tests And Certifications

